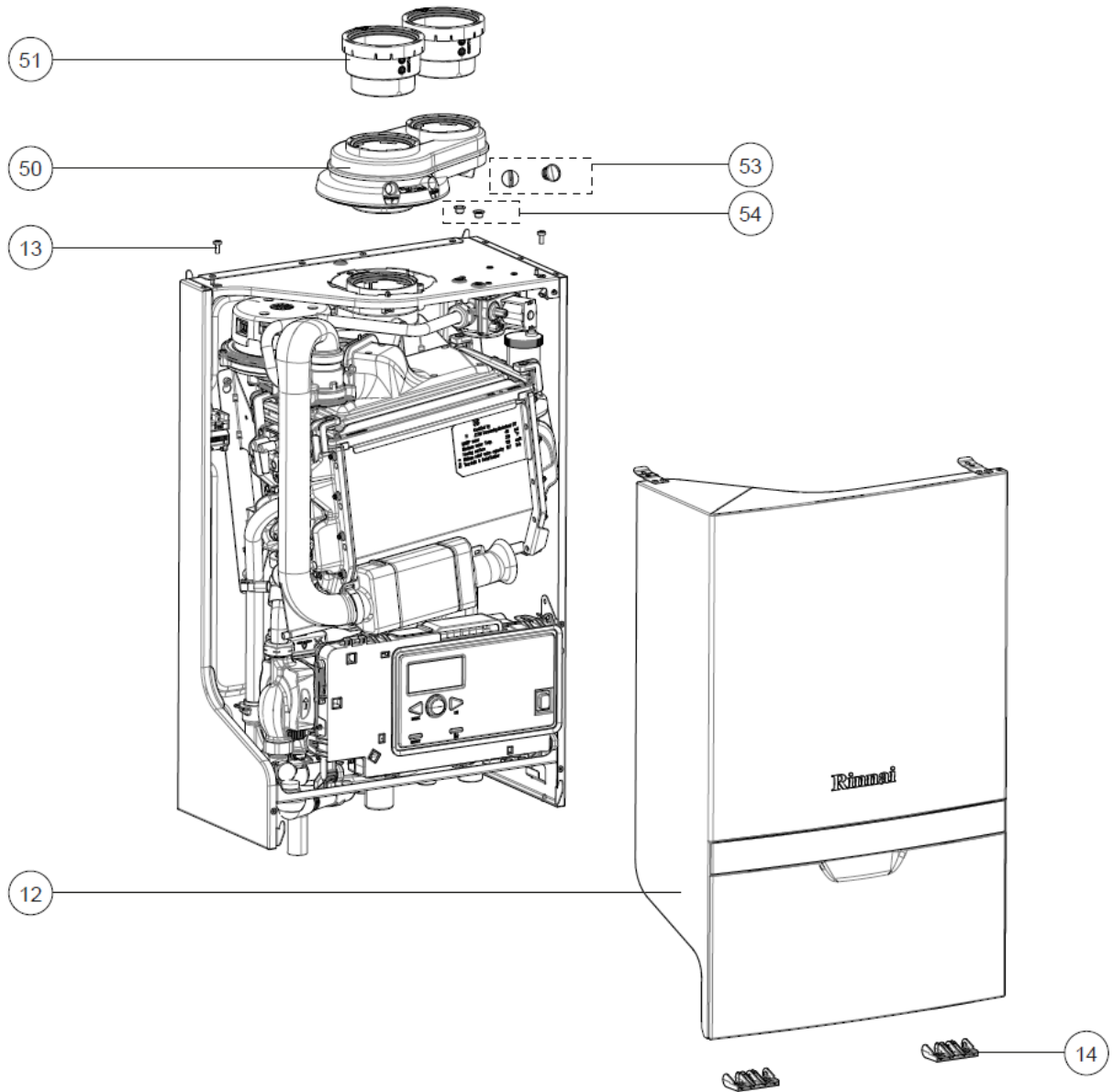


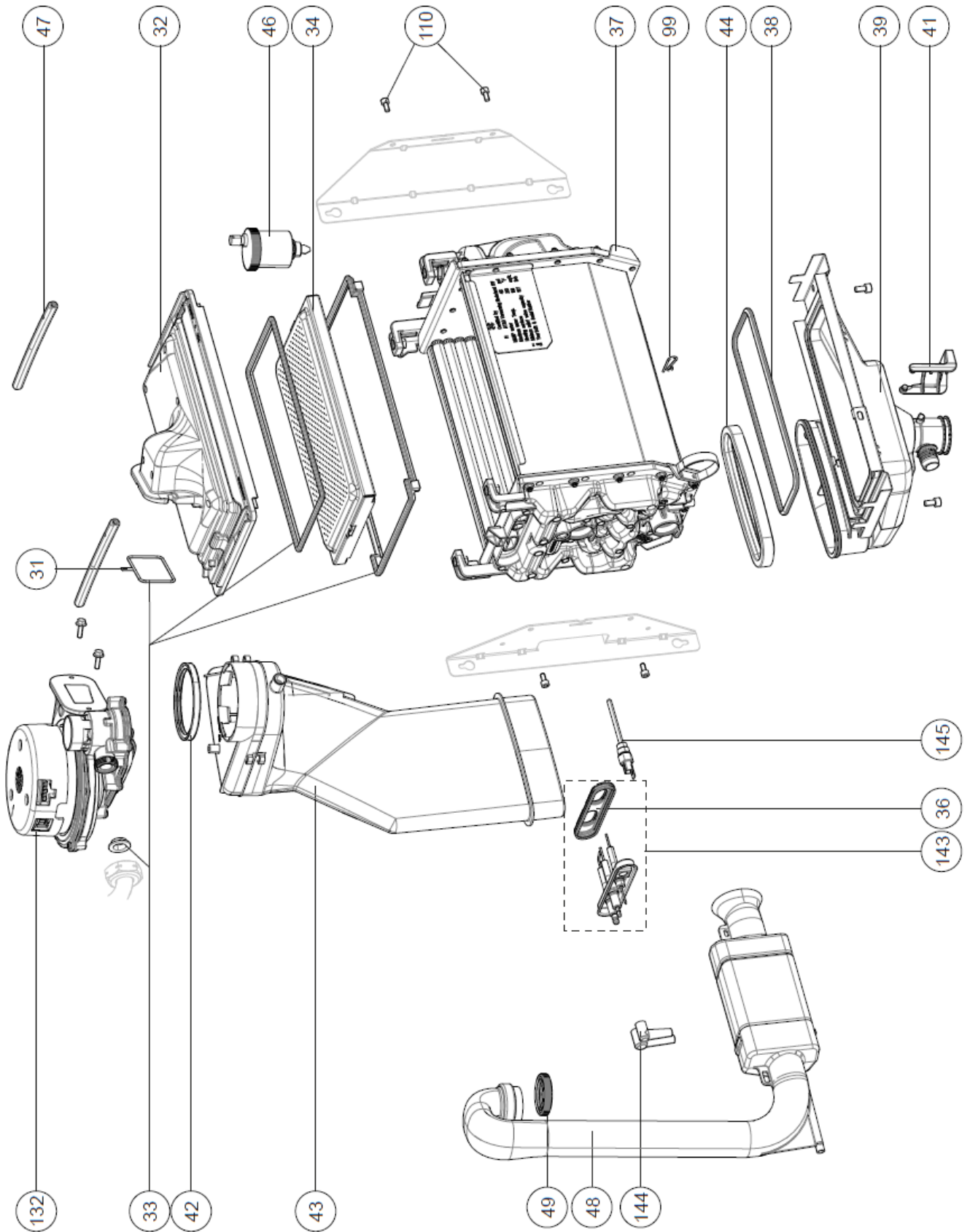
Boiler Parts

Boiler Casing



Item #	Description	Part Number	Quantity			
			M060C	M090C	M120C	M160C
12	Front cover	809000145	1	1	1	1
13	Screw M5 x 12 mm	809000019	2	2	2	2
14	Hinge	809000146	2	2	2	2
50	2-pipe adapter	802000005	1	1	1	1
51	3 in. PVC adapter	802000006	2	2	2	2
53	Measurement port plug	808000024	1	1	1	1
54	Gas valve screw plug	809000148	1	1	1	1

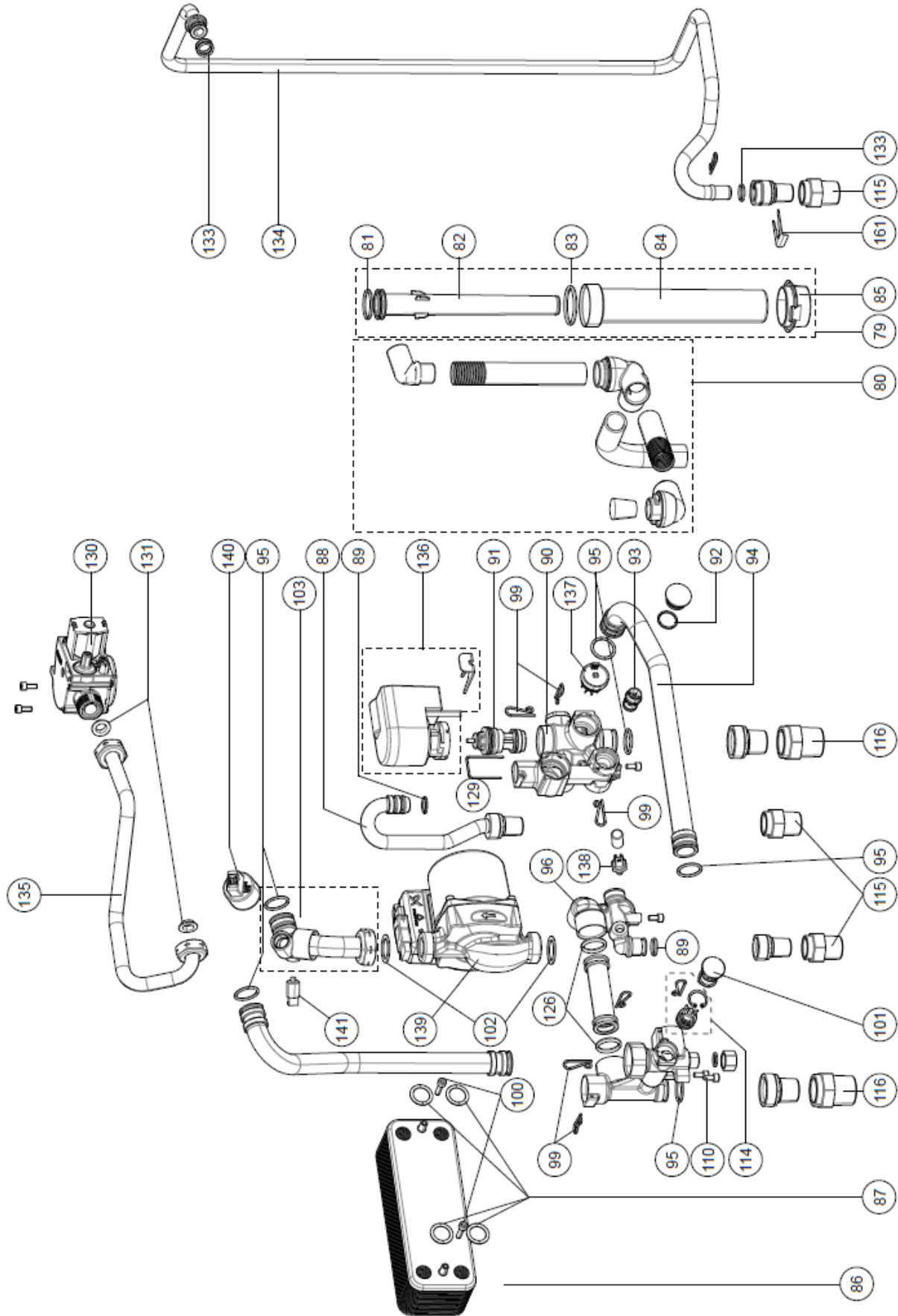
Heat Exchanger



Heat Exchanger (Continued)

Item #	Description	Part Number	Quantity			
			M060C	M090C	M120C	M160C
31	Gasket	808000037	1	1	1	1
32	Burner hood	806000035	1	-	-	-
		806000036	-	1	1	1
33	Gasket kit	806000037	1	-	-	-
		806000038	-	1	1	1
34	Burner	806000032	1	-	-	-
		806000033	-	1	1	1
36	Electrode gasket	805000062	1	1	1	1
37	Heat exchanger	807000169	1	-	-	-
		807000170	-	1	1	1
38	Condensate tray gasket	807000135	1	-	-	-
		807000136	-	1	1	1
39	Condensate tray	807000137	1	-	-	-
		807000138	-	1	1	1
41	Condensate trap latch	807000139	1	1	1	1
42	Flue gasket	802000002	1	1	1	1
43	Exhaust vent box	802000003	1	1	1	1
44	Flue/condensate tray gasket	802000004	1	1	1	1
46	De-aerator	807000024	1	1	1	1
47	Clamp bar	809000147	2	2	2	2
48	Silencer	808000038	1	1	1	1
49	Silencer gasket	808000039	1	1	1	1
99	Water control assembly retention clip	807000160	6	6	6	6
110	Allen head bolt M5 x10 mm	809000150	4	4	4	4
132	Fan/venturi	808000035	1	-	-	-
		808000036	-	1	1	1
143	Ignition/Electrode assembly	805000059	1	1	1	1
144	Igniter cable	805000066	1	1	1	1
145	Supply temperature sensor	805000056	1	1	1	1

Hydraulic Parts/Pipes



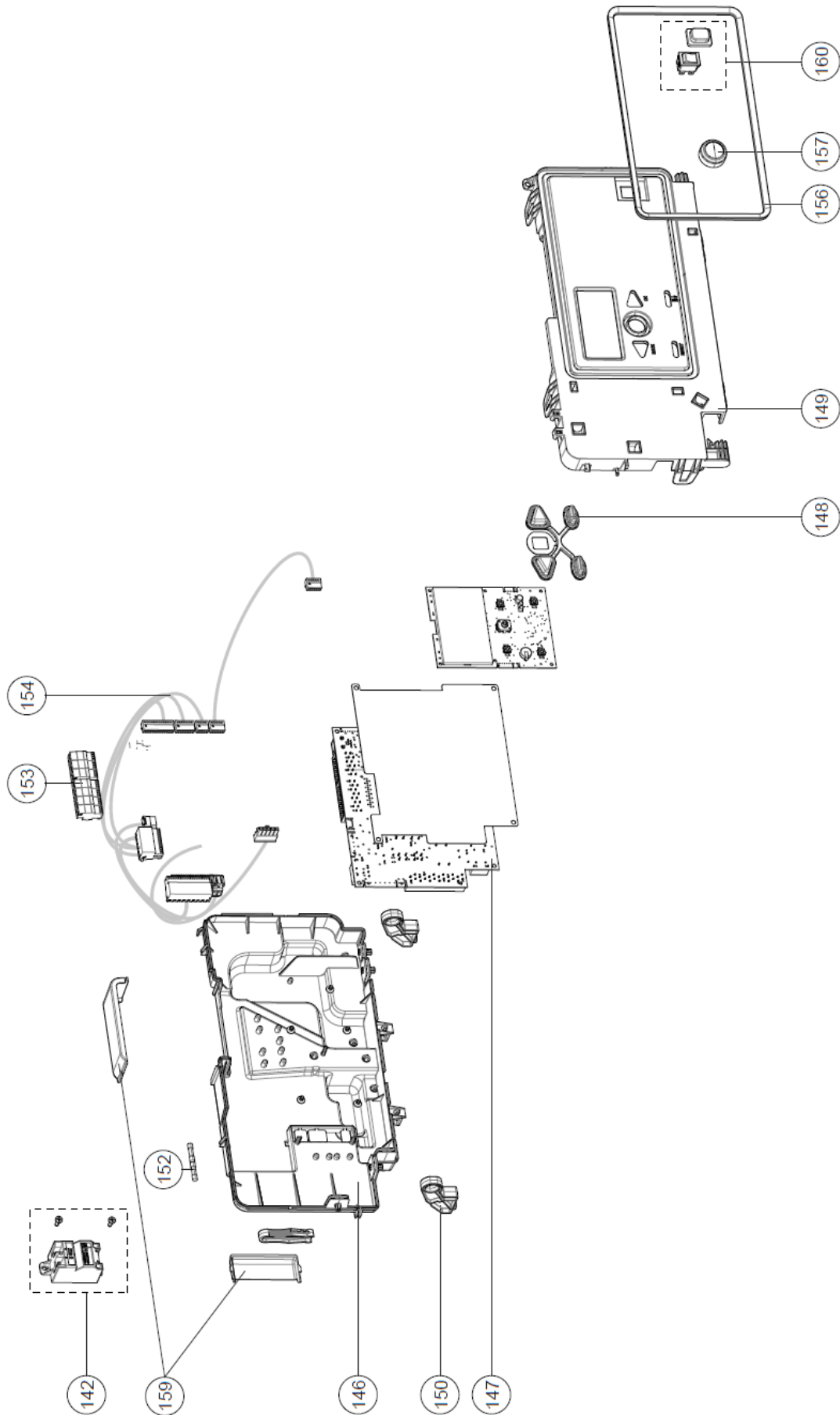
Hydraulic Parts/Pipes (Continued)

Item #	Description	Part Number	Quantity			
			M060C	M090C	M120C	M160C
79	Condensate collector kit	807000140	1	1	1	1
80	Condensate drain kit	807000141	1	1	1	1
81	Condensate drain o-ring Ø28.25 x 2.62 mm	807000142	1	1	1	1
82	Condensate drain inner tube	807000143	1	1	1	1
83	Condensate drain tube o-ring Ø37.69 x 3.53 mm	807000144	1	1	1	1
84	Condensate drain outer tube	807000145	1	1	1	1
85	Condensate collector cover gasket	807000146	1	1	1	1
86	Plate heat exchanger	807000147	1	-	-	-
		807000148	-	1	1	1
87	Plate heat exchanger o-ring 18.64 x 3.53 mm	807000149	1	1	1	1
88	Cold water supply pipe	807000150	1	1	1	1
89	De-Aerator o-ring Ø13.94 x 2.62 mm	809000028	1	1	1	1
90	Water control assembly—return	807000151	1	1	1	1
91	3-way valve cartridge	807000152	1	1	1	1
92	O-ring Ø18 x 2 mm	809000162	1	1	1	1
93	Flow restrictor-yellow	807000154	1	-	-	-
	Flow restrictor-blue	807000155	-	1	1	1
94	3-way valve/pump pipe	807000156	1	1	1	1
95	O-ring Ø21.89 x 2.62 mm	809000088	1	1	1	1
96	Water control assembly-supply	807000157	1	1	1	1
99	Water control pipe retention clip	807000160	6	6	6	6
100	Bolt M3 x 30	809000149	2	2	2	2
101	Water control assembly supply plug	807000161	1	1	1	1
102	Pump gasket 1 in.	807000099	2	2	2	2
103	Pump connection assembly	807000162	1	1	1	1
110	Allen head bolt M5 x10 mm	809000150	4	4	4	4
114	Bypass valve kit	807000167	1	1	1	1
115	Gas/DHW connection fitting 1/2 in. FNPT x 3/4 in. MNPT	806000041	3	3	3	3
116	Supply/return fitting 3/4 in. FNPT x 1 in. MNPT	807000168	2	2	2	2
126	O-Ring Ø21.82 x 3.53 mm	807000153	3	3	3	3

Hydraulic Parts/Pipes (Continued)

Item #	Description	Part Number	Quantity			
			M060C	M090C	M120C	M160C
129	Flow sensor retention clip	809000151	1	1	1	1
130	Gas valve	806000034	1	1	1	1
131	3/4 in. gas valve gasket	809000062	1	1	1	1
133	Yellow silicone o-ring \varnothing 13.94 x 2.62 mm	809000055	1	1	1	1
134	Gas pipe to gas valve	806000047	1	1	1	1
135	Gas pipe/gas valve to fan	806000048	1	1	1	1
136	3-way valve actuator	807000131	1	1	1	1
137	DHW flow sensor	805000061	1	1	1	1
138	DHW sensor	805000064	1	1	1	1
139	Pump	807000132	1	1	1	1
140	Water pressure sensor	805000058	1	1	1	1
141	Return temperature sensor	805000057	1	1	1	1
161	Clip \varnothing 19 mm	809000158	1	1	1	1

Electrical Components



Electrical Components (Continued)

Item #	Description	Part Number	Quantity			
			M060C	M090C	M120C	M160C
142	Ignition control box	805000060	1	1	1	1
146	controller casing/back	809000152	1	1	1	1
147	PC Board	805000055	1	1	1	1
148	Key pad	805000067	1	1	1	1
149	Controller casing/front	809000153	1	1	1	1
150	Hinge support	809000154	2	2	2	2
152	Fuse 4A (250V)	805000068	1	1	1	1
153	Screw terminal-white	805000069	1	1	1	1
	Screw terminal-blue	805000071	1	1	1	1
	Screw terminal-red	805000072	1	1	1	1
154	Wire harness	805000073	1	1	1	1
156	Controller gasket	809000155	1	1	1	1
157	Controller scroll wheel	809000156	1	1	1	1
159	Controller cover	809000157	1	1	1	1
160	On/off switch	805000076	1	1	1	1